



Barcaldine Show Challenge & Campdraft
 14th & 15th June 2024
 Campdraft Arena
 CCA Affiliated Event.



Friday 8am

Open Sweepstakes Challenge

Committee 40% Prize pool 60%.

17yrs & Over

Dry & Wet Pattern. Prizes for the first 3 places in each phase.

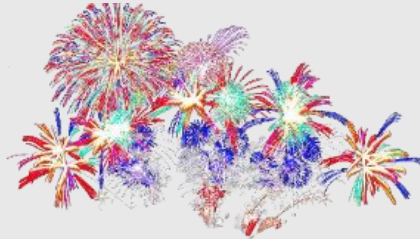
Nomination \$35.00

Trophy & Prizemoney for the overall aggregate.

Pay 6 places.

Highest Scoring Horse under 5 yrs.

Proof of age to be shown.



Junior Sweepstakes Challenge

5 yrs. – 12yrs.

Dry Pattern & Cattle Pattern. Prizes for the first 3 places in each phase.

Nomination \$15.00

Trophy & Prizemoney for the overall aggregate.

Pay 4 Places.

Juvenile Sweepstakes Challenge

13yrs to Under 17yrs

Dry & Wet Pattern. Prizes for the first 3 places in each phase.

Nomination \$25.00

Trophy & Prizemoney for the overall aggregate.

Pay 4 places.

Horse & Rider Regulations.

All horses must be ridden in a snaffle bit and stock saddle. No tie downs or rings. Exception for Juvenile and Junior competitors. Junior & Juvenile competitors can ride any class of horse.

Dress Code: Long sleeve button shirt with collar, long trousers, western style hat or helmet, no caps. It is compulsory for Under 18 years competitors to wear a helmet whilst mounted on the showgrounds.

Friday

Cattle dog Trials: Contact Dennis Allpass for further Information.

Mobile: 0427263115

Cattle Sale: Contact Tom Chandler

Mobile:0407511633

Saturday 7am

Novice Sweepstake Campdraft

Committee 40% Prize pool 60%

First 120 Entries 13yrs & over.

3 Horse limit.

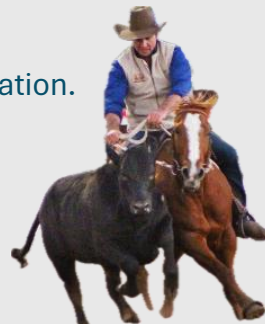
Nomination \$35.00

1round & final Pay 6 places.

Horses must be maiden or novice status.



Overall Prize
 for Presentation of Horse
 & Rider in the Challenge
 for
 Male & Female Donated
 by Tom & Kathleen
 Gleeson



Cattle Kindly
 donated by:
 John Crookking.



Web site: www.campdraftcentral.com.au

Nomination open with CCA Monday 4TH June @ 8.00am for 48hrs. Payment must be received by 5pm Tuesday 11th June 2024

All competitors must be a CCA Member to be able to nominate. Membership free for 2024 year. Attached Membership Form. Please ensure you fill in & return to support@campdraftlive.com.au

Barcaldine Show Challenge and Campdraft is affiliated with CCA and run in accordance with the 'General Information Competition Rules & Guidelines'

Scratchings: 100% refund of nomination fee will be given to a competitor who withdraws 120 hrs (5 days) prior to 8.am of the first morning of Program, if a competitor withdraws less than 120 hrs (5 days) prior to 8 am of the first morning then the entire nomination fee may be retained by the committee. If the committee deems that extenuating circumstances apply, then a refund may be granted.

Conditions of Entry : The Committee reserves the right to alter the program at any time.

All horses are to be run as drawn order in draft. NO changes to the draws will be made after start of each event.

Judges' decision in all cases will be final.

All riders Under 18yrs must wear approved helmets while riding on the grounds (refer to Rule 19 of CCA General Rules and Guidelines)

Under no circumstances are members under the age of 17yrs permitted to ride/handle stallions within the perimeter of the grounds.

Any competitors who, in the opinion of the Executive Committee and/or Chief Steward, deliberately mistreats or abuses stock, Judges and officials will be disqualified from the event and also from participating in any further events on the program. No refund of nominations will be offered.

All dogs must be always kept on a leash and/or be kept securely tied up whilst on the grounds.

Horse Health Declarations must accompany horses when travelling.

Declaration must be completed and presented to the Secretaries office upon arrival or emailed to: barcaldinecampdraft@gmail.com

Barcaldine Show Grounds
78 Wilga Street
Barcaldine, Qld.4725
PIC:QIBT0102

Further Information contacts.

Kathleen Gleeson Mobile 0488521136

Tom Gleeson Mobile 0427511630

Beccy Plumb Mobile 0427511561

Email:barcaldinecampdraft@gmail.com



MEMBERSHIP 2024

To apply for membership please complete all questions.

Full Name:

Address:

Gender

Male

Female

Date Of Birth

E-Mail:

Phone #:

Membership Type:

Adult
(17 yrs & over)

Junior
(8yrs & U13)

Juvenile
(13yrs & U17yrs)

Mini
(5yrs & U8yrs)

Non-Competing

RELEASE AND WAIVER OF LIABILITY

I acknowledge that the recreational activity of campdrafting is a dangerous recreational activity and involves a significant risk of physical harm. I acknowledge that I have been warned that if I participate in this activity that I may suffer injury, loss, damage or even death. I acknowledge that Campdraft Central Association Inc. (CCA) has warned me that if I participate that I may suffer injury, loss, damage, or death. In consideration of Campdraft Central Association Inc. permitting me to use their facilities and activities and allowing me to participate, I hereby release Campdraft Central Association Inc. from any claims that I may otherwise have against Campdraft Central Association Inc. in respect of any damage, injury or loss that may be occasioned by virtue of my participation in that dangerous activity and I agree to release from all liability and not to sue Campdraft Central Association Inc. for any such injury, death, loss or any other damage sustained by me as a result of my participation in any of the activities provided by Campdraft Central Association Inc.

I acknowledge that my signature to this document constitutes a complete and unconditional release of all liability of the CCA (and any Campdraft Committees affiliated with the CCA) to the extent permitted by law in the event of me and/or the children under my care suffering injury, death, or permanent disability.

Applicants Signature: _____

Dated / /

If person is under 18years of age, a Parent or Guardian must sign

Please note: Membership will not be accepted until this Release and Waiver is signed and returned

CCA Secretary

Janine Ploetz

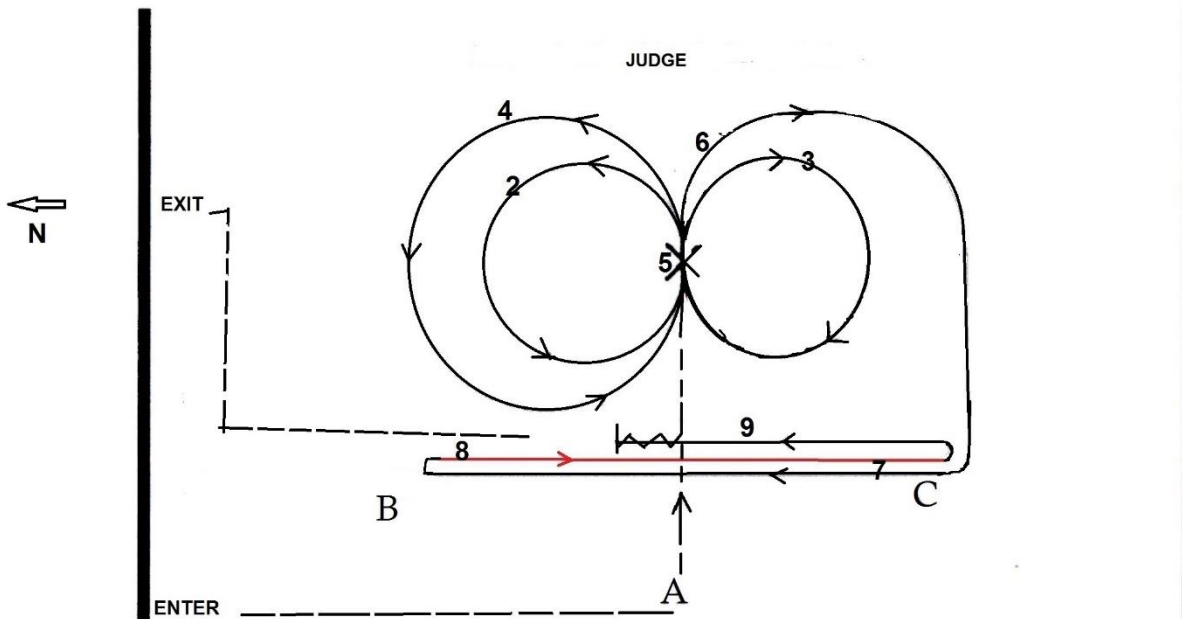
E: support@campdraftlive.com.au

A: 11 Vaughans Road, Inverness QLD 4703

P: 07 4886 2238

Version 03-2024

JUVENILE CHALLENGE PATTERN

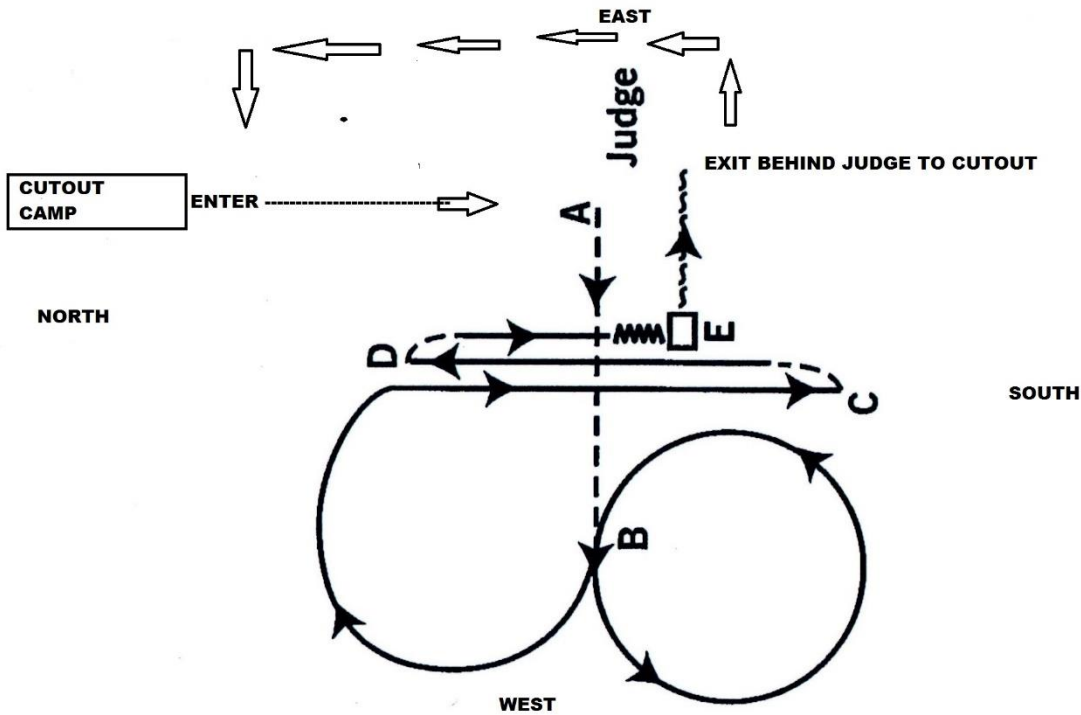


1	Enter at A. Acknowledge judge, trot to X, halt and settle horse.	10
2	Trot small circle to left with collection.	10
3	Trot small circle to right on a loose rein.	10
4	Canter large circle to left.	10
5	Simple change at x.	10
6	Canter large circle to right, do not close circle.	10
7	Run down to B, stop and rollback to right.	10
8	Run down to C, stop and rollback to left.	10
9	Run down to just past centre line, stop and back up to centre line. Acknowledge judge and leave arena at a walk on a loose rein.	10
10	Overall impression, accuracy and presentation.	10
Total		100

Width 30m x Depth 60m

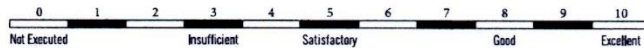
JUNIOR PATTERN

30M WIDE X 60M DEPTH



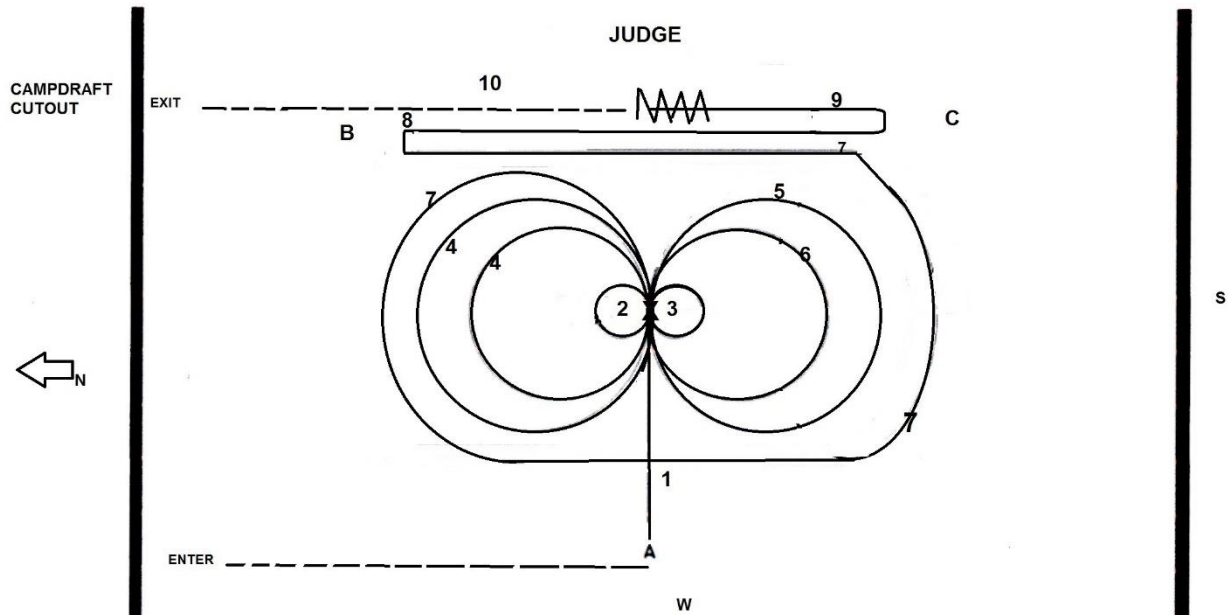
	POSSIBLE POINTS	ALLOCATED POINTS
1 Type, Presentation and Overall Impression	10	_____
2 Trot from A with light rein contact	10	_____
3 At B Canter circle to left	10	_____
4 Simple change at B, three quarter circle to right and continue straight on to C	10	_____
5 At C Stop and roll back to left	10 x 2 (20)	_____
6 Canter straight to D and Stop and roll back to right	10 x 2 (20)	_____
7 Canter to E, Stop, settle and back up 4 paces	10	_____
8 Walk to Judge on a loose rein	10	_____
TOTAL	100	_____

Horse Name and Number



OPEN

17 YRS & OVER CHALLENGE PATTERN



1	Enter arena at A. Collected trot to centre and stop. Acknowledge Judge.	/10
2	2 Spins left.	/10
3	2 Spins right.	/10
4	Pick up left lead and canter small slow circle and large fast circle to left.	/10
5	Flying change large fast circle to right.	/10
6	Slow small circle to the right.	/10
7	Simple change and canter to the left. Do not close circle continue to mark B	/10
8	Stop roll back to right and run to mark C stop.	/10
9	Roll back to left and run to centre stop and back up 3 meters.	/10
10	Leave arena on loose rein while cracking whip.	/10
	Total	/100

Width 30m x Depth 60m